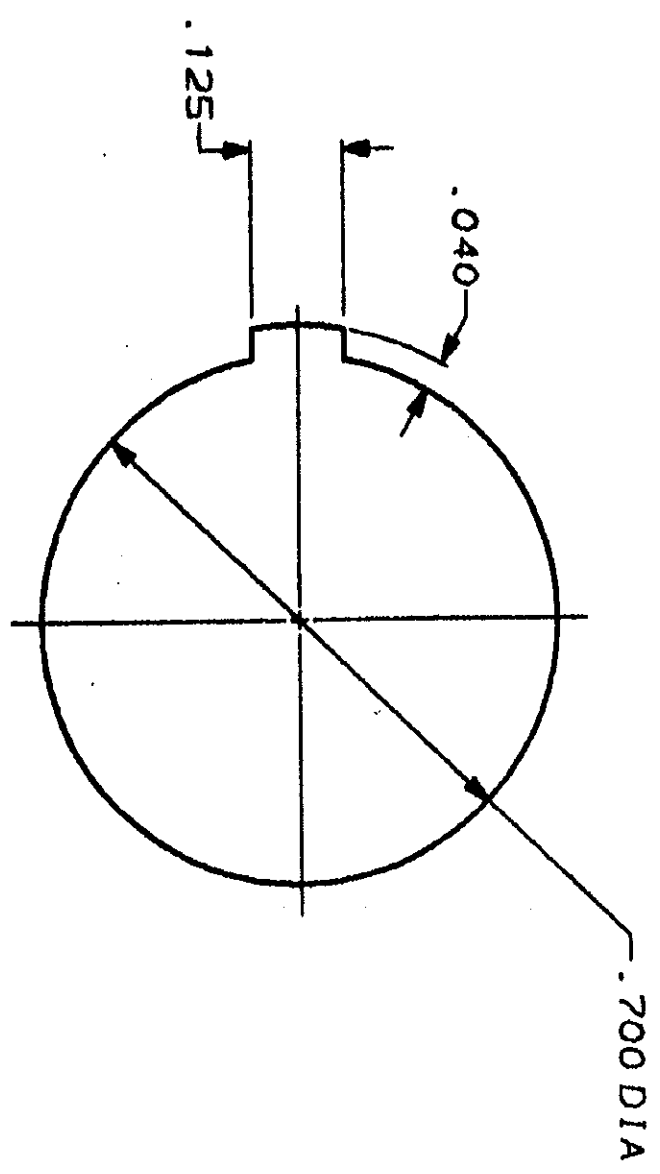
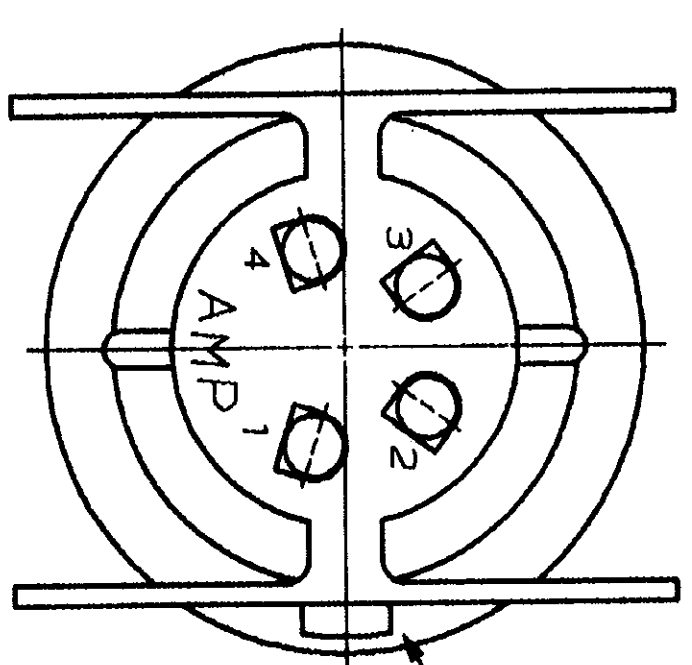
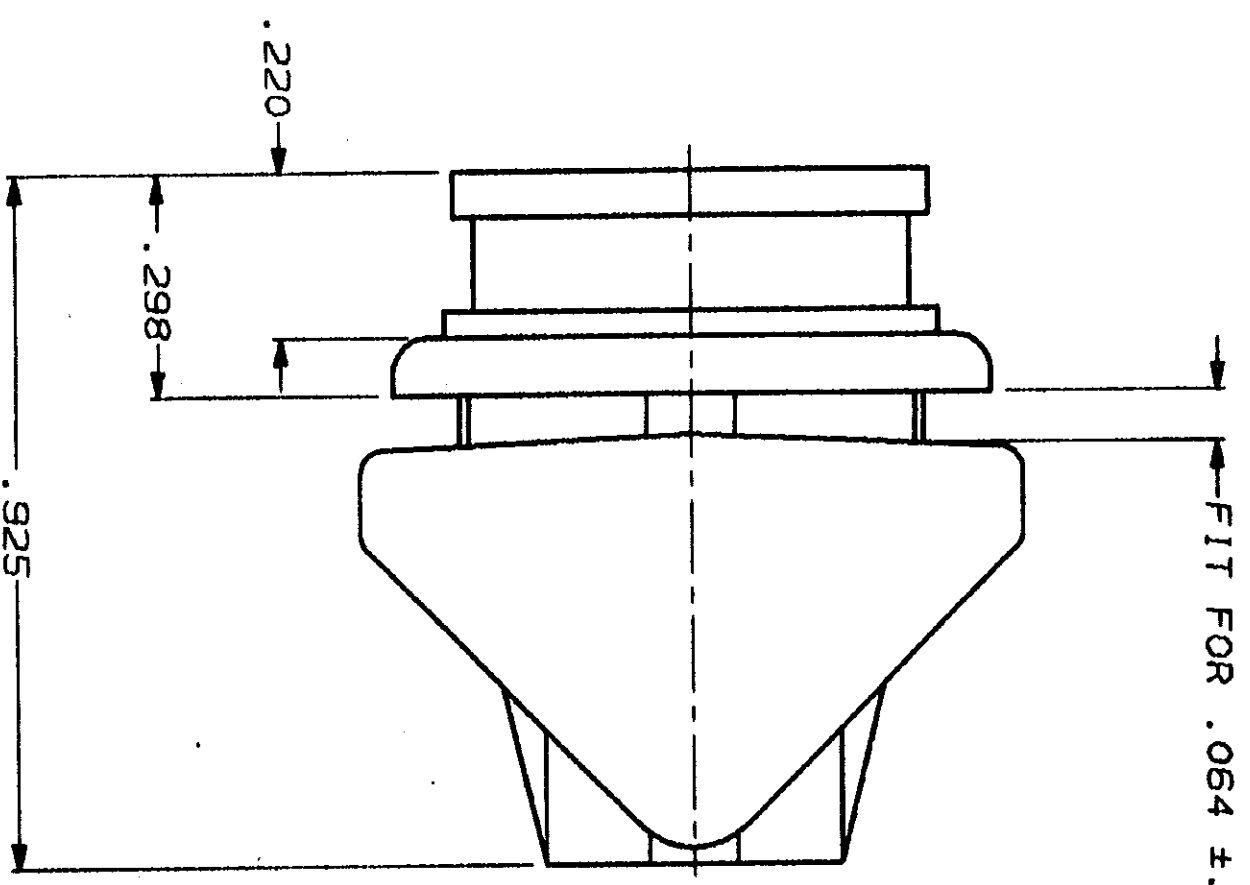
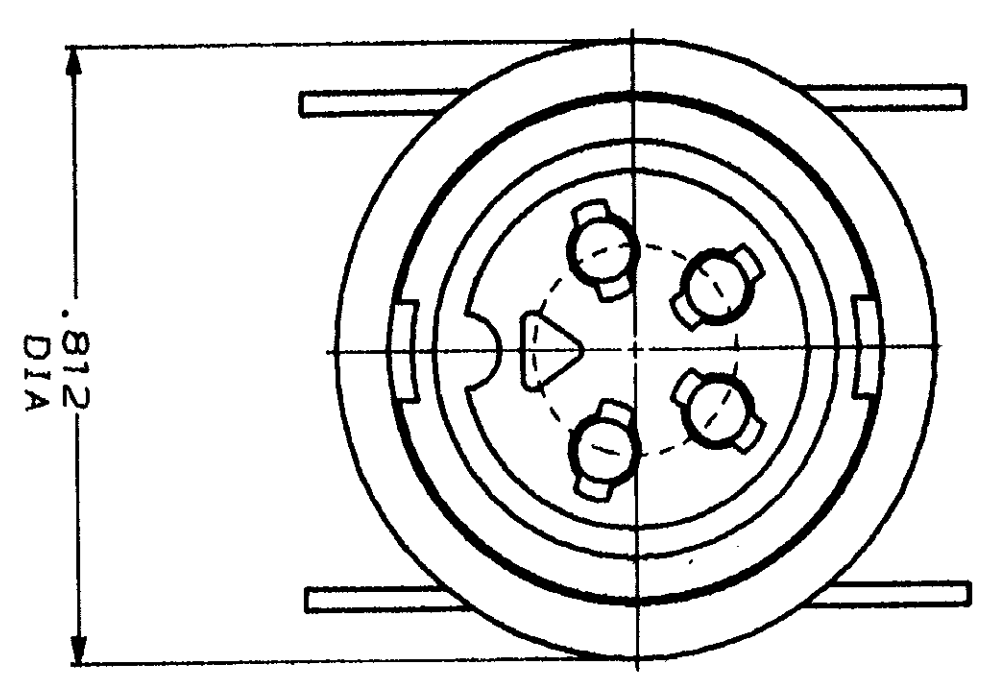


REV	DATE	APPRO
23	BD	39
ZONE	LTR	DESCRIPTION
H	REDRAWN	
DATE	APPRO	
8/2/90	K/S	



RECOMMENDED PANEL CUT-OUT
 1. HOUSING TO BE INSERTED FROM PUNCHED SIDE OF PANEL.

DO NOT SCALE PRINT. DIMENSIONS SPECIFIED IN INCHES TOLERANCES ON: 1. DIMENSIONS IN INCHES 2. PLG DEC ± .005 3. PLG DEC ± .005 ANGLES	DR B/31/90 A. STUB BS	DATE 6-30-91
FINISH	CHK <i>[Signature]</i>	APPD H. Blawie 6-3-91
NYLON COLOR: BLACK	PRODUCT SPEC	NAME
APPLICATION SPEC	SCALE 4:1	HOUSING, SOCKET, SNAP-IN, AUDIO MICROPHONE CONNECTOR, 4 POSN
WEIGHT	SIZE	AMP Incorporated Harrisburg, PA 17105-3808
	CAGE CODE	
	00779	
	DRAWING NO	
	207316	
	SHEET	
	1 OF 1	

207316-1
PART NO

207316

CUSTOMER DRAWING